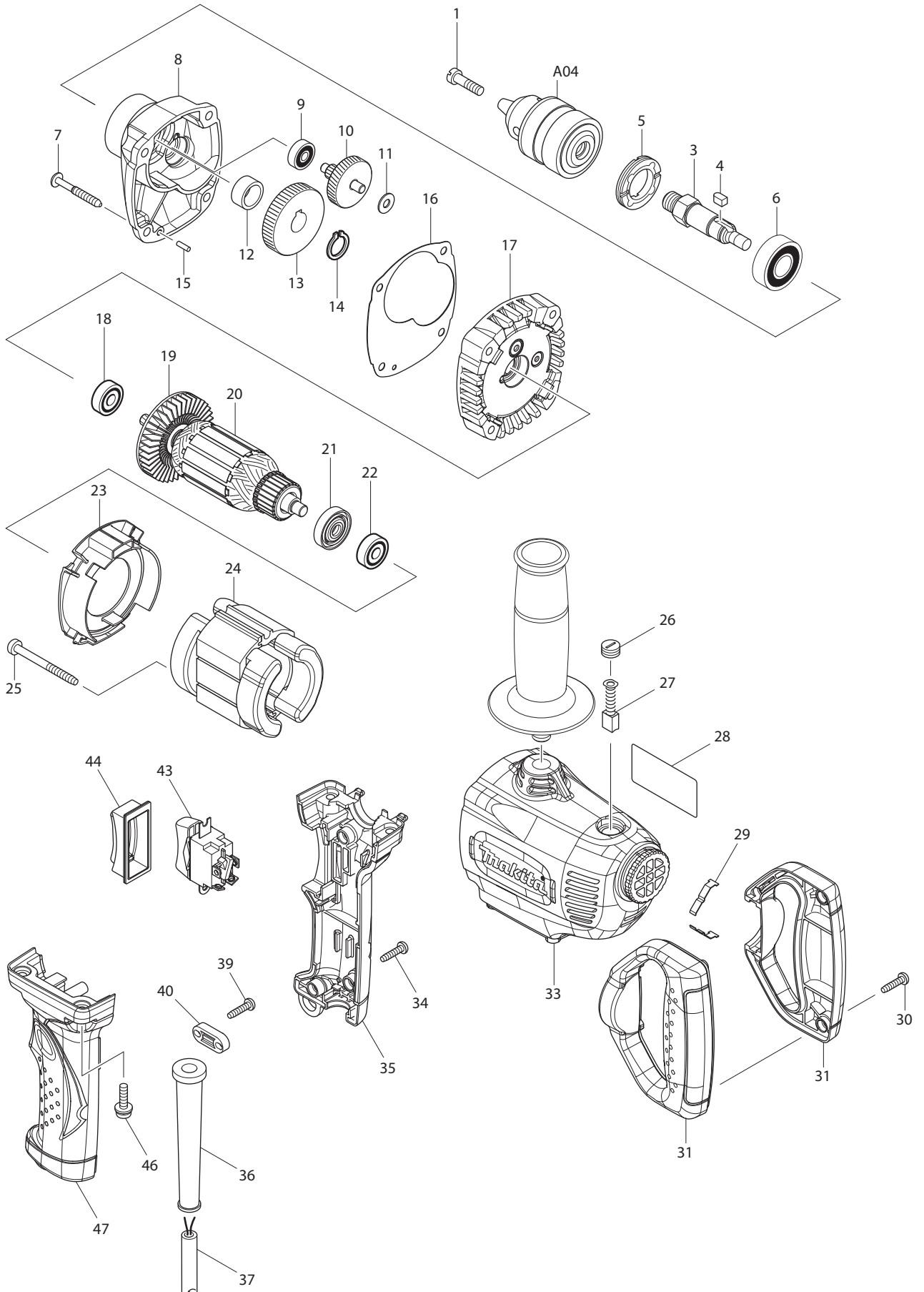




08 - 2010
DS4011 / DS4011K
1/2" DRILL



Item No	Type	Sub	Part No	Description	Qty	Unit
001			251441-5	- FLAT HEAD SCREW M6X22	1	PC.
003			325494-1	SPINDLE	1	PC.
004			254211-1	KEY 5	1	PC.
005			285807-7	BEARING RETAINER 22-36	1	PC.
006			211206-7	BALL BEARING 6202LLB	1	PC.
007			266211-9	TAPPING SCREW 5X40	4	PC.
008			140620-9	GEAR HOUSING COM	1	PC.
009			211016-2	BALL BEARING 626LLB	1	PC.
010	1		226028-2	* GEAR COM 7-41	1	PC.
	2		227A81-7	* GEAR COM 7-41	1	PC.
011			261008-1	FIBER WASHER 6	1	PC.
012			257018-4	RING 15	1	PC.
013			221261-1	SPUR GEAR 47	1	PC.
014			961054-1	RETAINING RING S-14	1	PC.
015			256180-2	PIN 3	1	PC.
016			452066-0	GASKET	1	PC.
017	1		140619-4	* GEAR HOUSING COVER COM	1	PC.
		INC.	212012-3	* NEEDLE BEARING 609	1	PC.
		INC.	212003-4	* NEEDLE BEARING 810	1	PC.
		INC.	263002-9	* RUBBER PIN 4	1	PC.
	2		141R16-5	* GEAR HOUSING COVER COM	1	PC.
		INC.	212012-3	* NEEDLE BEARING 609	1	PC.
		INC.	212003-4	* NEEDLE BEARING 810	1	PC.
		INC.	263002-9	* RUBBER PIN 4	1	PC.
018			211031-6	BALL BEARING 608LLB	1	PC.
019			241850-6	FAN 60	1	PC.
020			518677-2	ARMATURE ASS'Y 115V	1	PC.
		INC.		Item No. 18,19,21,22		
021			681659-8	INSULATION WASHER	1	PC.
022			211031-6	BALL BEARING 608LLB	1	PC.
023			452063-6	BAFFLE PLATE	1	PC.
024			520076-6	FIELD ASS'Y	1	
		INC.	654100-4	RING TERMINAL	2	PC.
		INC.	654555-3	CONNECTOR 34130	2	PC.
025	2		266418-7	TAPPING SCREW 5X55	2	PC.
026			643550-8	BRUSH HOLDER CAP 5-8	2	PC.
027			195008-8	CARBON BRUSH CB-408 2PC/SET (W/ ORIGIN)	1	SET
028			868446-4	DS4011 NAME PLATE	1	PC.
029			232260-8	LEAF SPRING	2	PC.
030	2		265A48-7	TAPPING SCREW 4X18	4	PC.
031			188921-7	HANDLE SET	1	SET
033			140618-6	MOTOR HOUSING COM	1	
		INC.	643455-2	BRUSH HOLDER 6X9	2	PC.
034	2		265A48-7	TAPPING SCREW 4X18	3	PC.
035			188920-9	SWITCH HANDLE COVER SET	1	SET
036			682559-5	CORD GUARD 8	1	PC.
037			664064-4	CORD W/PLUG 2P-18-2.5M, SJ	1	PC.
039	2		265A48-7	TAPPING SCREW 4X18	2	PC.
040			687063-9	CORD CLAMP (STRAIN RELIEF)	1	PC.
043			651564-3	SWITCH SL220SD-4	1	PC.
044			421297-2	DUST COVER	1	PC.
046			911233-1	PAN HEAD SCREW M5X20	4	PC.
C01			871355-8	CARTON (For DS4011K)	1	PC.
D01			652008-6	PAN HEAD SCREW M3.5X7(FOR SWITCH)	4	PC.
D02			654117-7	INSULATING TERMINAL	4	PC.
D03			654562-6	CLOSED END SPLICE(INSULATED CONNECTOR 35115)	2	PC.
D04			654182-6	INSULATED TERMINAL	2	PC.
D05			654037-5	INSULATED TERM. FK1.25-M3	4	PC.

Item No	Type	Sub	Part No	Description	Qty	Unit
D06			654077-3	INSULATED TERMINAL FK2-M3D-5.5	2	PC.
D07			654509-0	CONNECTOR 2-SD	2	PC.
<u>ACCESSORIES</u>						
A01			152492-0	GRIP 36 COM	1	PC.
A02			763411-7A	CHUCK KEY S13 (Use with Item No. A04)	1	PC.
A03			763432-9	CHUCK KEY S13 (Longer Handle) (Use with Item No. A05)	1	PC.
A04			763078-1	1/2" DRILL CHUCK (Use with Item No. A02 Chuck Key)	1	PC.
A05			192877-8	1/2" DRILL CHUCK (Use with Item No. A03 Chuck Key)	1	PC.
A06			824967-6	PLASTIC CARRYING CASE	1	PC.
A07			122236-2	DEPTH GAUGE ASS'Y	1	PC.
		INC.	164579-6	STOPPER HOLDER	1	PC.
		INC.	256828-6	ROD 8	1	PC.
		INC.	286210-5	CAP 20	1	PC.
		INC.	924311-8	WING BOLT M6X12	1	PC.
A08			122177-2	RIGHT ANGLE ATTACHMENT (See Parts Breakdown 122177-2)	1	PC.
		INC.	153109-8	GEAR SHAFT COMPLETE A	1	PC.
		INC.	153110-3	GEAR SHAFT COMPLETE B	1	PC.
		INC.	156387-9	GEAR HOUSING	1	PC.
		INC.	325311-5	SLEEVE	1	PC.
		INC.	781008-0	WRENCH 17	1	PC.
		INC.	921552-7	HEX. BOLT M10X30	2	PC.
		INC.	962155-8	RETAINING RING R-37	2	PC.

SERVICE CHANGES

1. Changes on Gear Complete and Gear Housing Cover Complete (T/#DJ610)

Item No.	Description	Type 1	Type 2
10	GEAR COMPLETE 7-41	226028-2	227A81-7
17	GEAR HOUSING COVER COMPLETE	140619-4	141R16-5

Above parts are completely interchangeable as a set.